

**NEMA 4X - ENCLOSURE
19" RACKMOUNT - 36U HEIGHT
FLOOR MOUNT**

**66" H x 48" W x 42" D
4 DOOR DESIGN**

STAINLESS STEEL

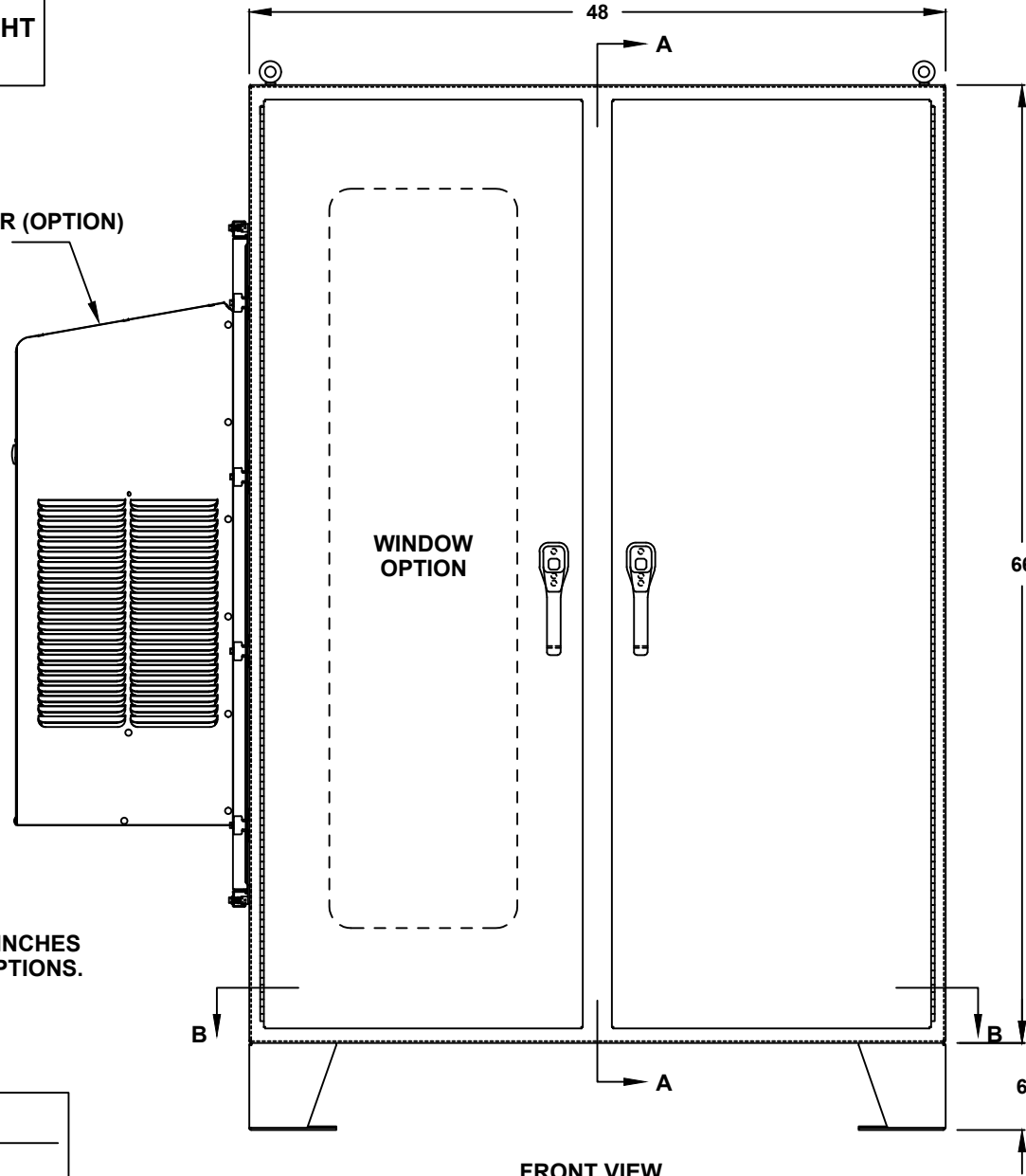


FILE NUMBER: E507642

AIR CONDITIONER (OPTION)
REF. TO PAGE 2

ENCLOSURE MATERIAL

- 304 STAINLESS STEEL (S4)
- 316 STAINLESS STEEL (S6)



- LIFTING EYES**
- WELDED PADEYES (STANDARD)
- REMOVABLE PADEYES
- *WINDOW OPTIONS**
- CLEAR WINDOW
- TINTED WINDOW
- TEMPERED GLASS
- NOT REQUIRED
- DOOR HANDLES**
- PADLOCK PROVISION (STANDARD)
- KEYLOCK (OPTION)
- FLOOR KIT**
- 6" HT. (STANDARD)
- 8" HT.
- 10" HT.
- 12" HT.
- CUSTOM _____

ALL DIMENSIONS ARE ESTIMATED IN INCHES
AND MAY VARY DUE TO SELECTED OPTIONS.

*NOTE: UL & NON-UL OPTIONS
AVAILABLE

COMPANY NAME

APPROVED (PRINTED NAME)

SIGNATURE

DATE

FRONT VIEW

**66" H x 48" W x 42" D
4 DOOR DESIGN**

A/C MATERIAL (EXTERIOR)

- 304 STAINLESS STEEL
- 316 STAINLESS STEEL
- OTHER _____

AIR CONDITIONER

- 1000 BTU
- 2000 BTU
- 3000 BTU
- 4000 BTU
- 5000 BTU
- 6000 BTU
- 8000 BTU
- 10000 BTU
- 12000 BTU
- 15000 BTU
- 20000 BTU
- SPECIFY _____
- NOT REQUIRED

A/C VOLTAGE/ HZ

- 115 VOLTS
- 230 VOLTS
- 480 VOLTS
- 60 HZ
- 50 HZ
- 48 VDC (CS011 / NE040 A/C ONLY)

A/C INTEGRATED HEATER

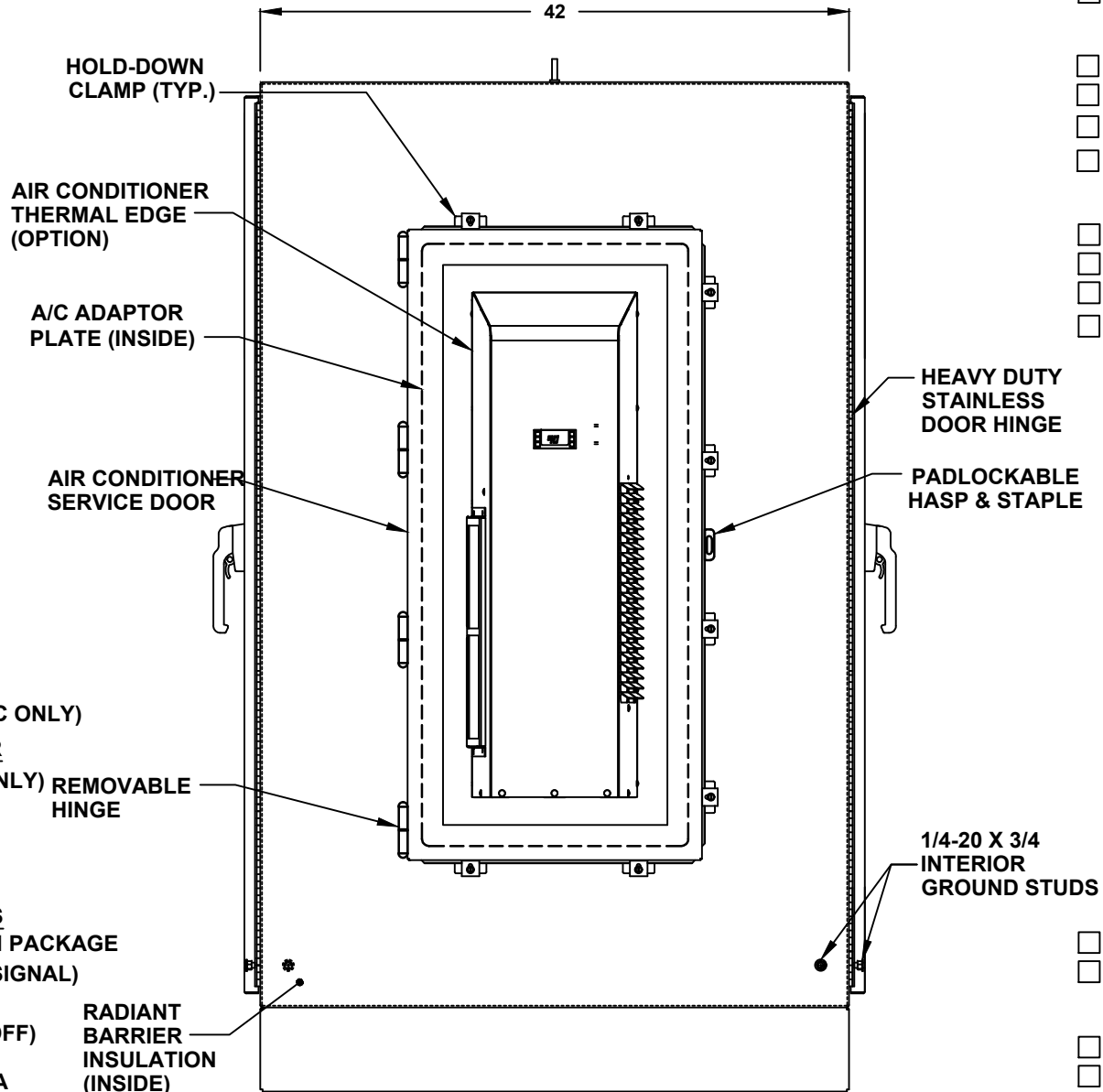
- 350 WATTS (CS011 A/C ONLY)
- 500 WATTS (C3020)
- 1000 WATTS
- EXTERNAL HEATER

ADDITIONAL A/C OPTIONS

- CORROSION PROTECTION PACKAGE
- DRY CONTACT (OUTPUT SIGNAL)
- 2" DEEP FILTERS
- PROXIMITY SWITCH (ON/OFF)

AIR CONDITIONER- SCADA

- MODBUS RTU 485 (2 WIRE) REMOTE NETWORK ETHERNET CONNECTION
- MODBUS GATEWAY ADD-ON



SUN REFLECTIVE SOLUTION

- TOP SUNSHIELD COVER

THERMAL SPECIFICATIONS

- OUTSIDE (AMBIENT) _____ °F
- INTERIOR TEMP. _____ °F
- HEAT LOAD (WATTS) _____
- SUN / SHADE _____

ENCLOSURE INSULATION

- 1/2 RADIANT BARRIER (STANDARD)
- 3/4 RADIANT BARRIER
- 1 RADIANT BARRIER
- NOT REQUIRED

A/C SERVICE DOOR

- INSTALL A/C SERVICE DOOR
- NOT REQUIRED

A/C SERVICE DOOR HINGE

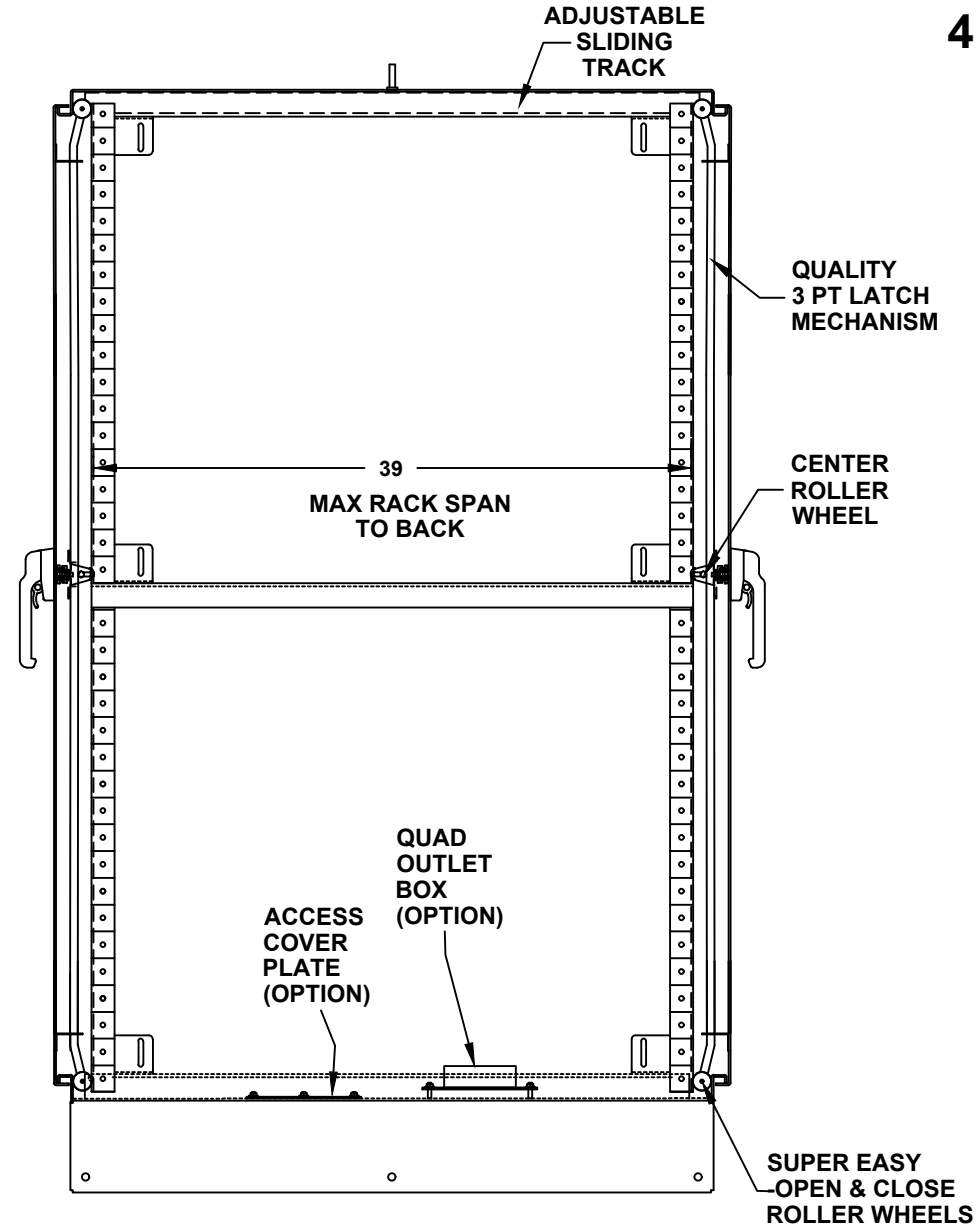
- REMOVABLE HINGE
- CONTINUOUS HINGE

A/C ADAPTOR PLATE

- INSTALL A/C ADAPTOR PLATE
- NOT REQUIRED

LEFT SIDE

66" H x 48" W x 42" D 4 DOOR DESIGN

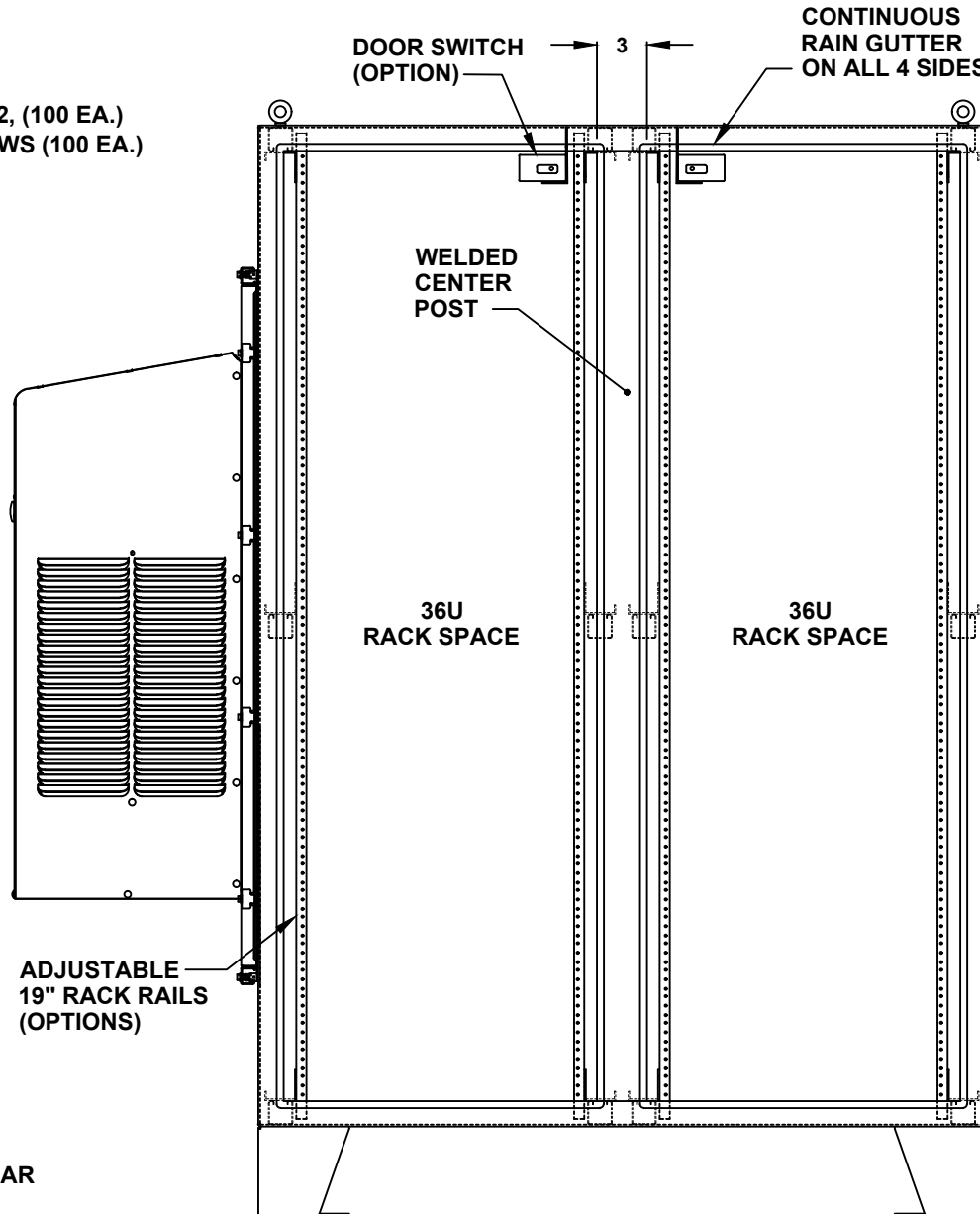


CROSS SECTION VIEW A-A

66" H x 48" W x 42" D
4 DOOR DESIGN

RACK RAIL OPTIONS

- BLACK CLIP NUTS, #10-32, (100 EA.)
- #10/32 HIGH POINT SCREWS (100 EA.)
- M6 CAGE NUTS



FRONT VIEW WITH DOOR REMOVED

OTHER OPTIONS

- 19" RACK COPPER BUSBAR
- VERTICAL RACK PDU

DOOR OPTIONS

- DOOR SWITCH
- ELECTROMAGNETIC LOCK
- PRINT POCKET

CENTER POST

- WELDED (STANDARD)
- REMOVEABLE

RACK RAIL POST

- QTY 4 POST
- QTY 8 POST (REARDOOR REQUIRED)

RACK RAIL MATERIAL

- POWDER COATED STEEL (STANDARD)
- 304 STAINLESS STEEL

RACK RAIL MOUNTING HOLES

- #10-32 TAP (STANDARD)
- #1/4-20 TAP
- 3/8 SQUARE

RACK RAIL TYPE

- STANDARD GRADE
- HEAVY DUTY RAILS (OPTION)

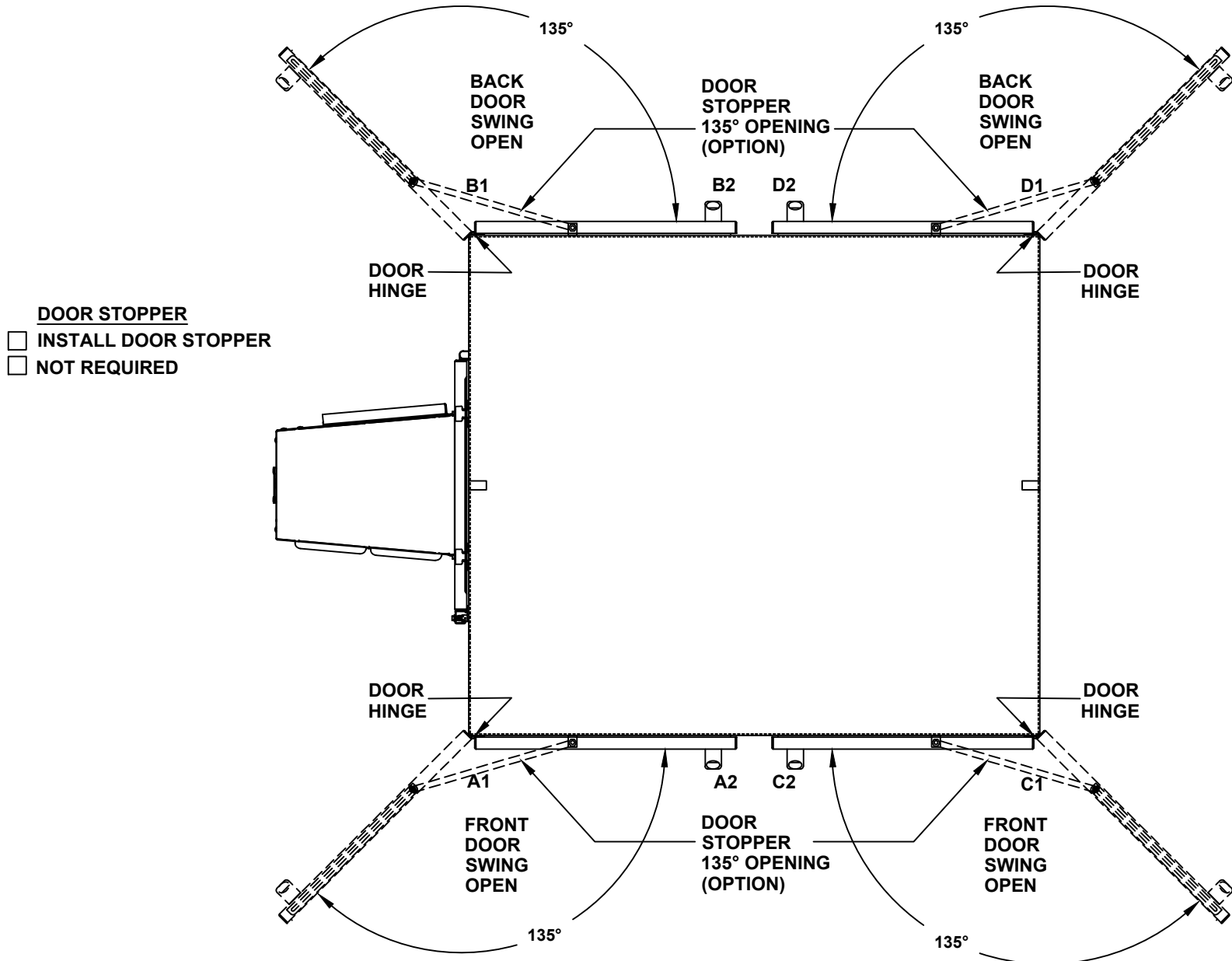
RACK SHELVES (OPTION)

- STANDARD RACK SHELVES
- SLIDING RACK SHELVES
- RACK SHELF SUPPORT

RACK DRAWERS (OPTION)

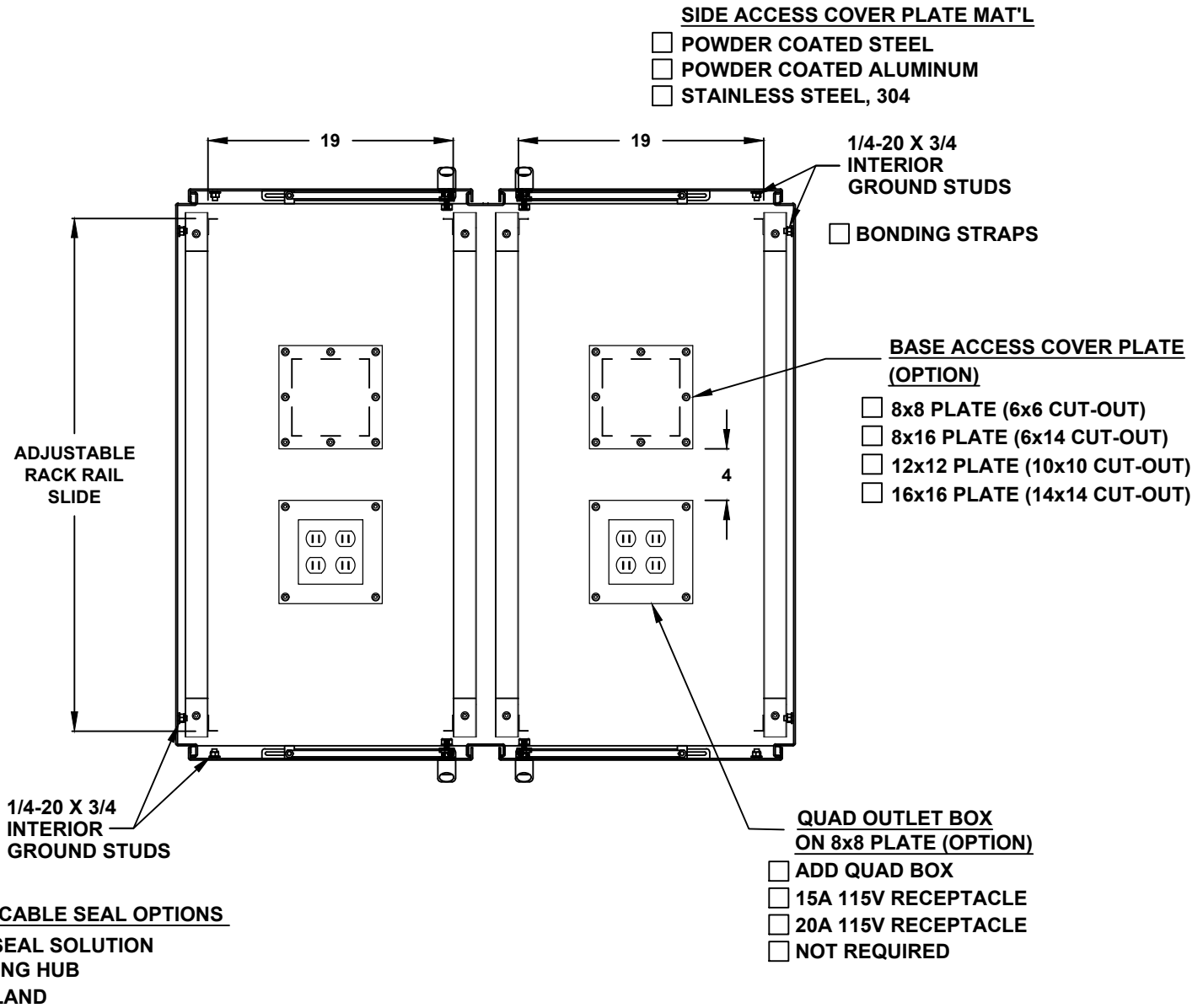
- RACK DRAWERS
- LAPTOP DRAWERS

66" H x 48" W x 42" D 4 DOOR DESIGN



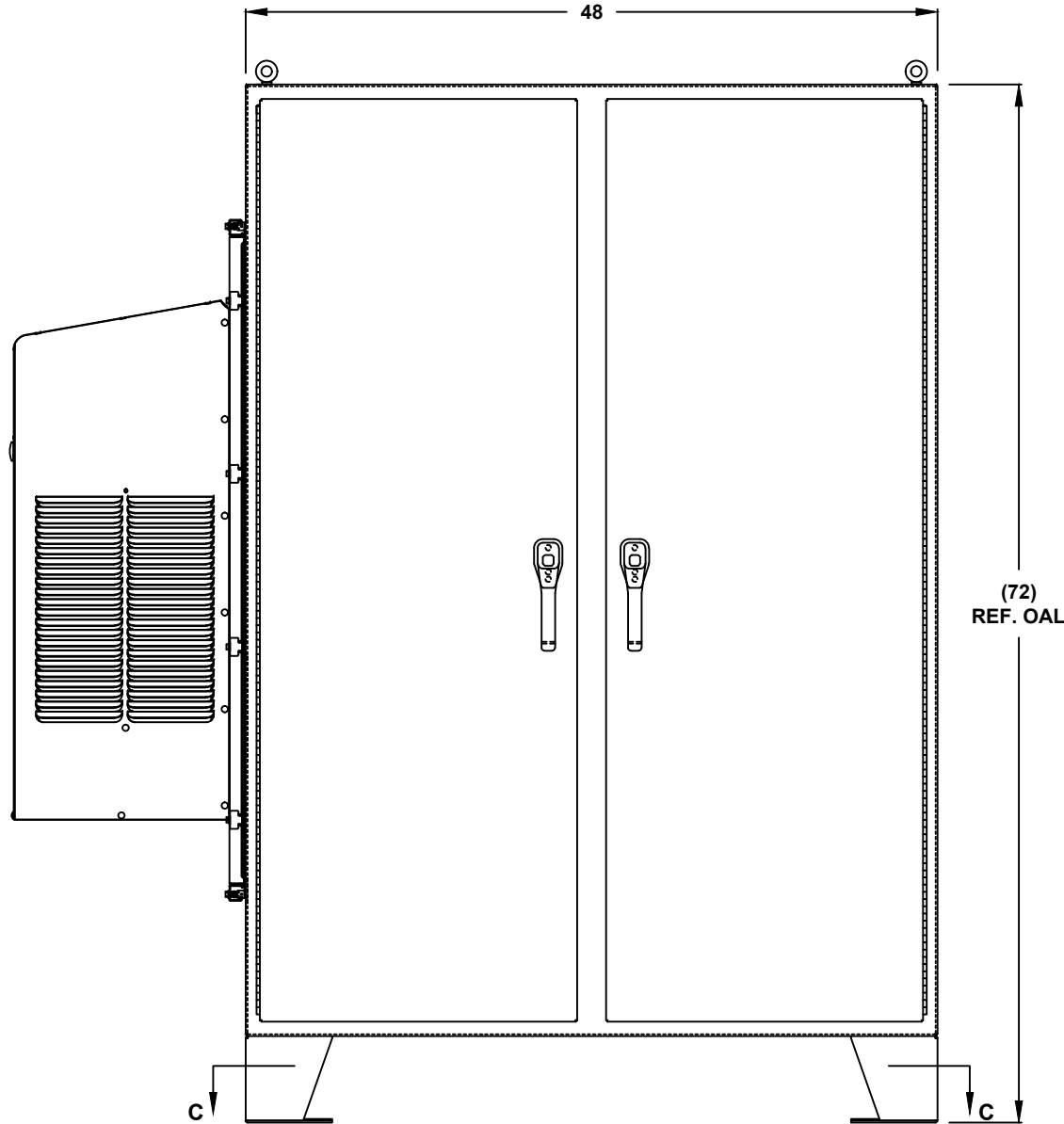
TOP VIEW

66" H x 48" W x 42" D 4 DOOR DESIGN



TOP CROSS SECTION VIEW B-B

66" H x 48" W x 42" D
4 DOOR DESIGN



FRONT VIEW

66" H x 48" W x 42" D
4 DOOR DESIGN

